



VRA-J Series VRA-H-J Series (Class 2)

5 in 1 (Triac, 0-10V, 1-10V, 10V PWM, Potentiometer) Dim. C.V. J-Box LED Driver

(Output Voltage Fine Tune Available / Voltage Reduce/(VR) output)

可控硅&0-10V (5合1)调光恒压壳机一体电源【VRA-J·VRA-H-J系列】【输出电压可微调/降压/(VR)输出】

Features 特性

- ★ **Dim-all:** Triac/0-10V/1-10V/10VPWM/Potentiometer
- **Universal input:** 110-277Vac
- ★ **Output type:** AM(Amplitude Modulation) output
--Voltage Reduce
- **Triac dim mode:** Forward phase & reverse phase,
MLV, ELV dim
- With unique knob trim voltage function
- Wet, damp, and dry location,
- Title 24 JA8 compliant
- Build in active PFC, typical power factor>0.95,
THD<10%@120V Max. load.
- Super low loading request, works perfect at 10-100% load.
- Short-circuit, over-temperature, over-load protection.
- UL cUL listed, Class 2, Class P, FCC,
NEMA 4X, RoHs

- ★ **调光方式:** 可控硅/0-10V/1-10V/10V PWM/电阻调光
通用输入: 110-277Vac
- ★ **输出类型:** AM(调幅)输出--降压

可控硅调光模式: 正相和反相、MLV、ELV 调光

具有独特的旋钮微调电压功能

适用于潮湿和干燥的位置

兼容Title 24, JA8标准

内置有源PFC, 典型功率因数>0.95, THD<10%
@120V Max. load

超低负载要求, 在 10-100% 负载下完美运行

短路、过温、过载保护

认证: UL/cUL, Class 2, Class P, FCC,
NEMA 4X, ROHS

Selling Points 卖点

- 1) AM(Amplitude Modulation) Voltage Reduce output type
- 2) **Dimming range:** 100%-0.1% Ultra Deep Amplitude
- 3) Works with single channel LED strip/tape and
dim-to-warm LED strip/tape (2 wires)
- 4) Exclusive patent design of "Clamshell" junction box
(Fixed without screws)

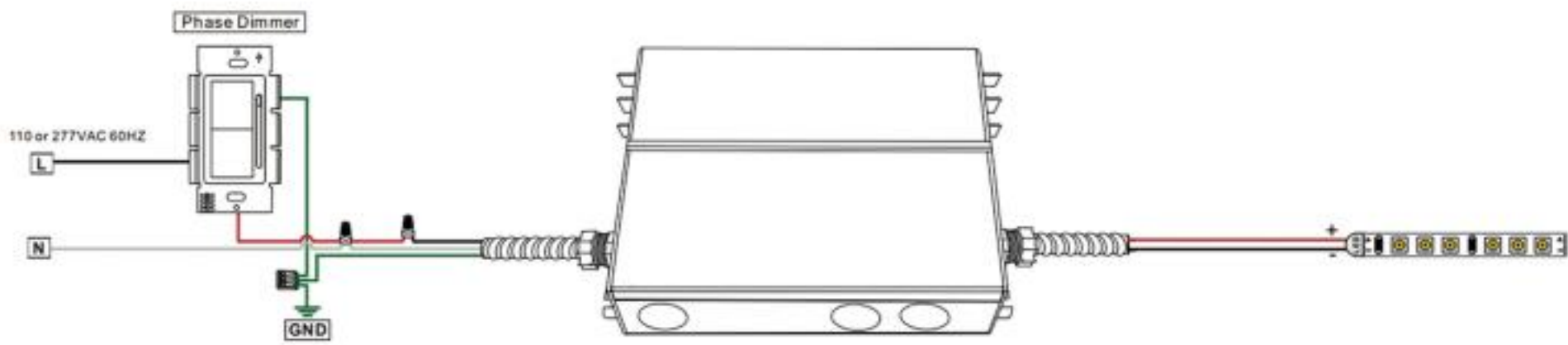
- 1) AM(Amplitude Modulation)电压降低输出型
- 2) **调光范围:** 100%-0.1%超深幅度
- 3) 适用于单通道 LED 灯条/带和调暗至暖色
LED 灯带/2线芯LED 灯带
- 4) 独家 "Clamshell" 接线盒专利设计 (无需螺丝固定)

| Model 型号 | Cover Material 外壳材质 | Output Voltage 输出电压 (Vdc) | Output Current 输出电流 (Amp) | Output power 输出功率 (Watt) | Product Size 尺寸 (mm) | N/W 净重 (g) |
|--------------------|----------------------------|------------------------------|---------------------------------|--------------------------------|-------------------------|------------------|
| VRA-12030J | Metal Housing (NEMA 4X) | 12V(9-13Vadjustable) | 2.5A | 30W | 158*120.5*42 | 750 |
| VRA-24030J | | 24V(17-25Vadjustable) | 1.25A | | | |
| VRA-48030J | | 48V(36-49Vadjustable) | 0.63A | | | |
| VRA-12060J | | 12V(9-13Vadjustable) | 5A | 60W | 158*120.5*42 | 750 |
| VRA-24060J | | 24V(17-25Vadjustable) | 2.5A | | | |
| VRA-48060J | | 48V(36-49Vadjustable) | 1.25A | | | |
| VRA-12080J | | 12V(9-13Vadjustable) | 6.6A | 80W | 188*120.5*42 | 1100 |
| VRA-24080J | | 24V(17-25Vadjustable) | 3.3A | | | |
| VRA-48080J | | 48V(36-49Vadjustable) | 1.66A | | | |
| VRA-24096J | | 24V(17-25Vadjustable) | 4A | 96W | 188*120.5*42 | 1100 |
| VRA-48096J | | 48V(36-49Vadjustable) | 2A | | | |
| VRA-12100J | | 12V(9-13Vadjustable) | 8.33A | 100W | 188*120.5*42 | 1100 |
| VRA-24100J | | 24V(17-25Vadjustable) | 4.17A | | | |
| VRA-48100J | | 48V(36-49Vadjustable) | 2.08A | | | |
| VRA-12120J | | 12V(9-13Vadjustable) | 10A | 120W | 218*120.5*42 | 1100 |
| VRA-24120J | | 24V(17-25Vadjustable) | 5A | | | |
| VRA-48120J | | 48V(36-49Vadjustable) | 2.5A | | | |
| VRA-12150J | | 12V(9-13Vadjustable) | 12.5A | 150W | 218*120.5*42 | 1500 |
| VRA-24150J | | 24V(17-25Vadjustable) | 6.25A | | | |
| VRA-48150J | | 48V(36-49Vadjustable) | 3.125A | | | |
| VRA-12200J | | 12V(9-13Vadjustable) | 16.67A | 200W | 218*120.5*42 | 1500 |
| VRA-24200J | | 24V(17-25Vadjustable) | 8.33A | | | |
| VRA-48200J | | 48V(36-49Vadjustable) | 4.17A | | | |
| VRA-12300J | | 12V(9-13Vadjustable) | 25A | 300W | 258*120.5*42 | 1500 |
| VRA-24300J | 24V(17-25Vadjustable) | 12.5A | | | | |
| VRA-48300J | 48V(36-49Vadjustable) | 6.25A | | | | |
| High Power Class 2 | | | 120W-384W | | | |
| VRA-H12120J | Metal Housing (NEMA 4X) | 12V(9-13Vadjustable) | 2CH*5A | 2CH*60W | 218*120.5*42 | 1100 |
| VRA-H24120J | | 24V(17-25Vadjustable) | 2CH*2.5A | 2CH*60W | 218*120.5*42 | 1100 |
| VRA-H12180J | | 12V(9-13Vadjustable) | 3CH*5A | 3CH*60W | 218*120.5*42 | 1100 |
| VRA-H24192J | | 24V(17-25Vadjustable) | 2CH*4A | 2CH*96W | 218*120.5*42 | 1100 |
| VRA-H48192J | | 48V(36-49Vadjustable) | 2CH*2A | 2CH*96W | 218*120.5*42 | 1100 |
| VRA-H24288J | | 24V(17-25Vadjustable) | 3CH*4A | 3CH*96W | 258x120.5x42 | 1500 |
| VRA-H48288J | | 48V(36-49Vadjustable) | 3CH*2A | 3CH*96W | 258x120.5x42 | 1500 |
| VRA-H12300J | | 12V(9-13Vadjustable) | 5CH*5A | 5CH*60W | 258x120.5x42 | 1500 |
| VRA-H24384J | | 24V(17-25Vadjustable) | 4CH*4A | 4CH*96W | 258x120.5x42 | 1500 |
| VRA-H48384J | | 48V(36-49Vadjustable) | 4CH*2A | 4CH*96W | 258x120.5x42 | 1500 |

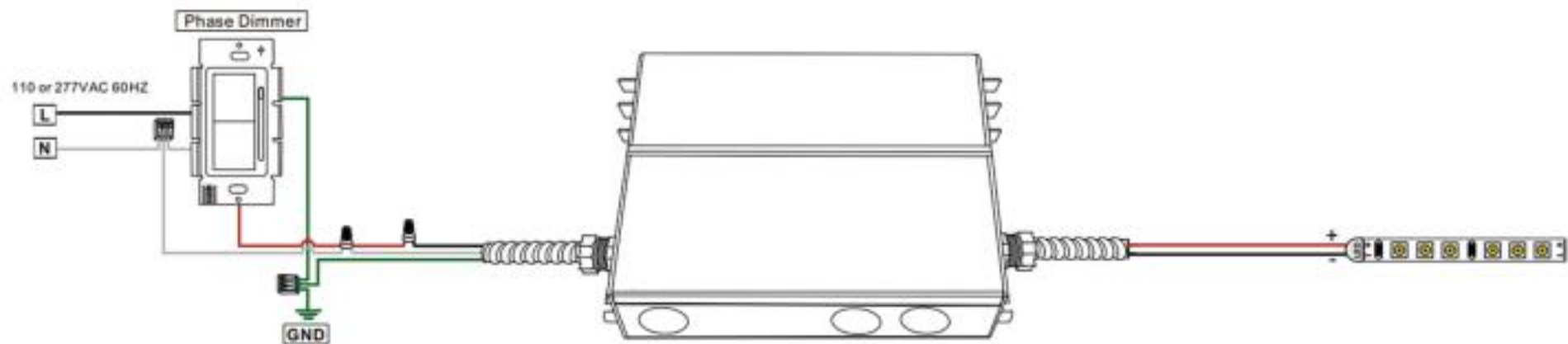
Wiring Diagram (Works with single channel Linear LED strip/tape (2 wires))

接线图 (与单通道线性 LED 灯条/2线芯LED 灯带 配合使用)

1) Using Triac / MLV wiring diagram 使用 Triac/MLV 接线图

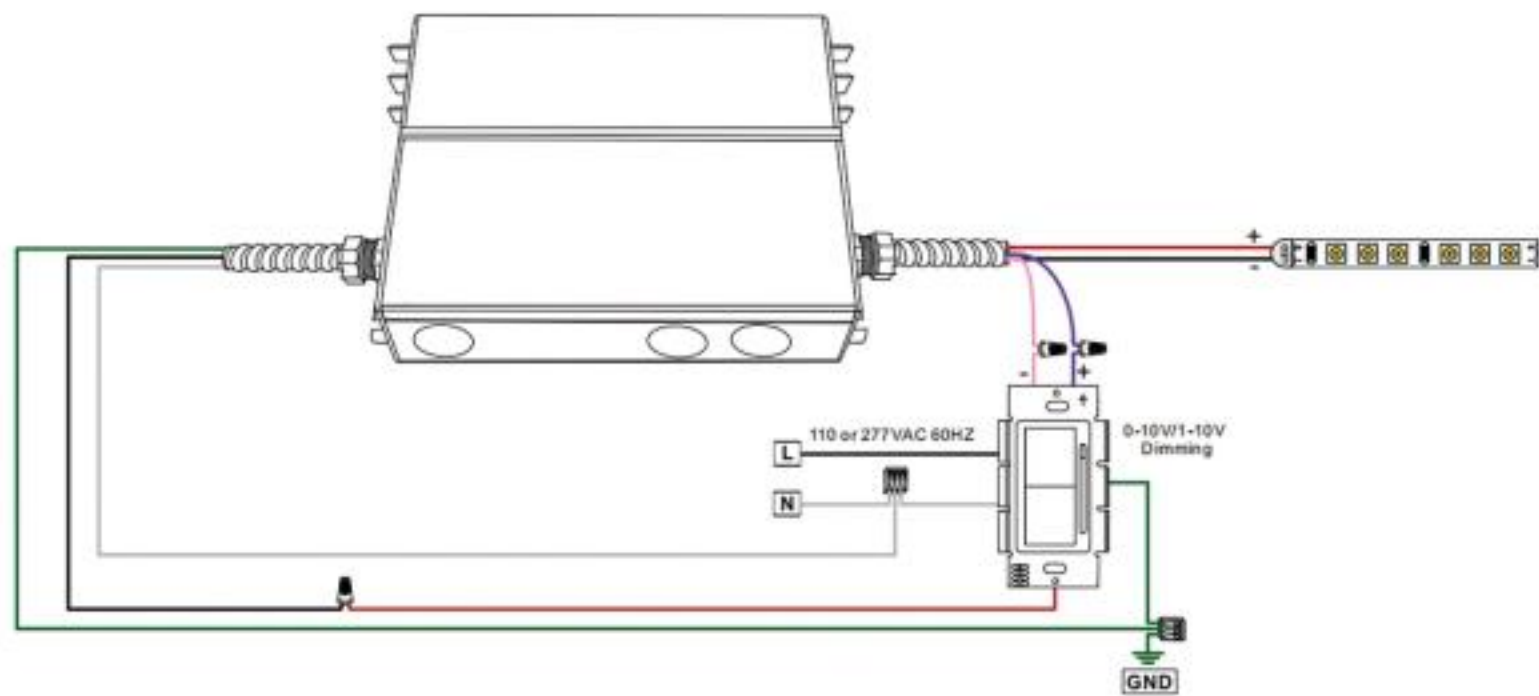


2) Using Triac / ELV wiring diagram 使用 Triac/ELV 接线图



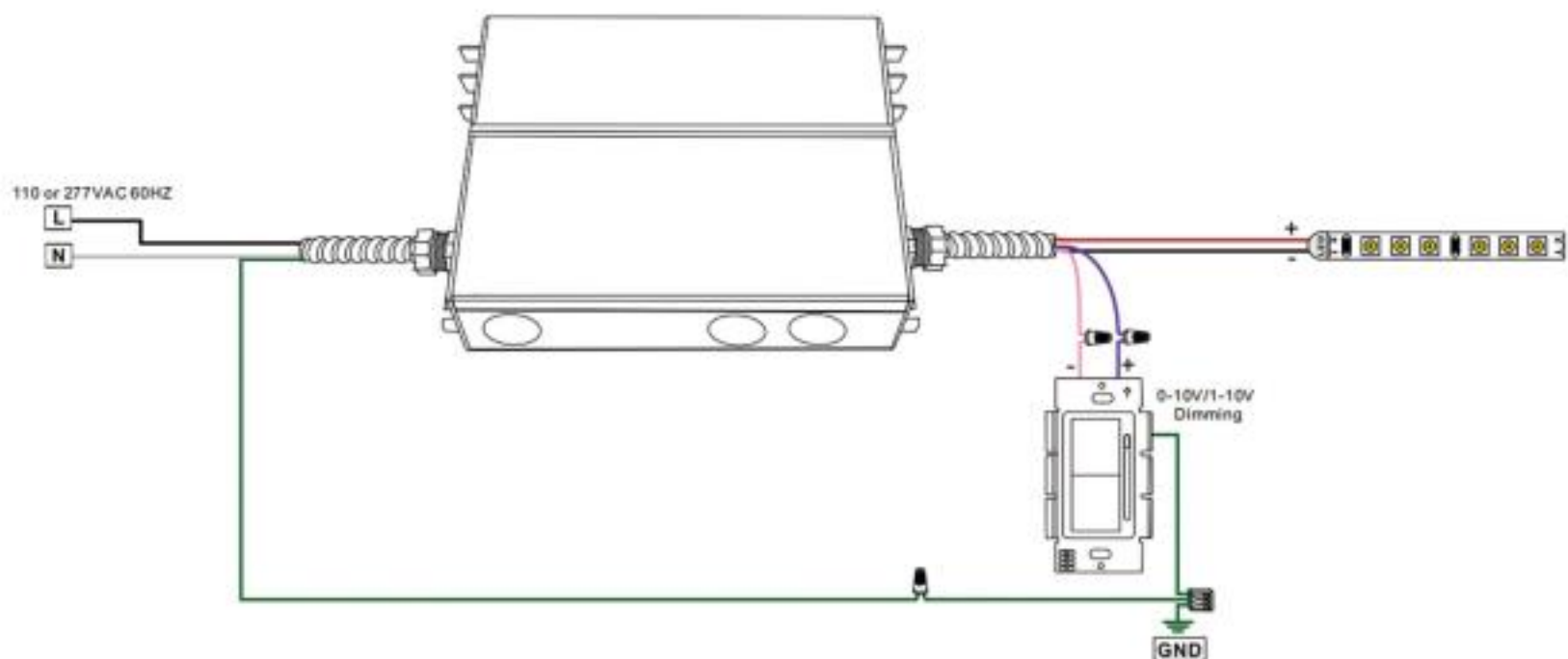
3) Using 0-10V/1-10V Dimming(The driver input is connected to the dimmer)

使用0-10V/1-10V调光 (驱动输入连接调光器)



4) Using 0-10V/1-10V Dimming(The driver is independently connected to the input)

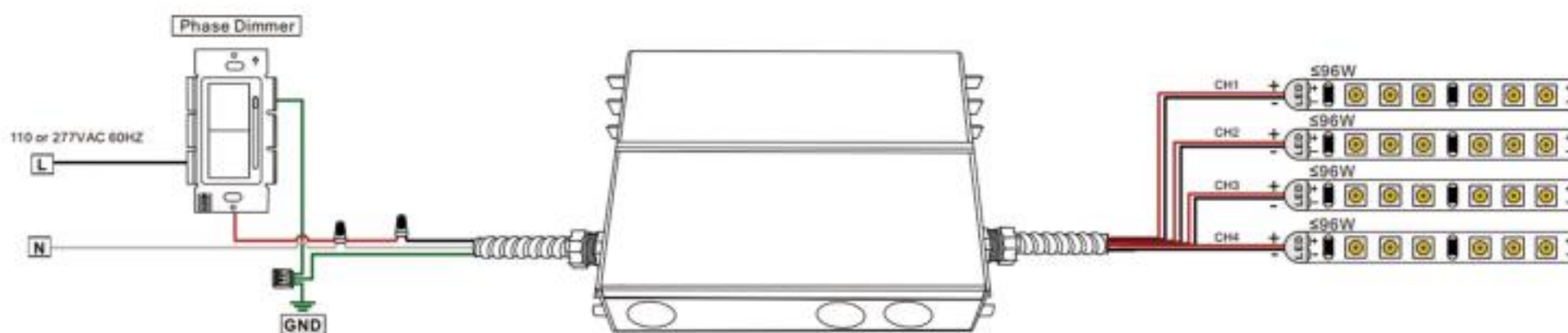
使用0-10V/1-10V调光 (驱动器独立连接输入)



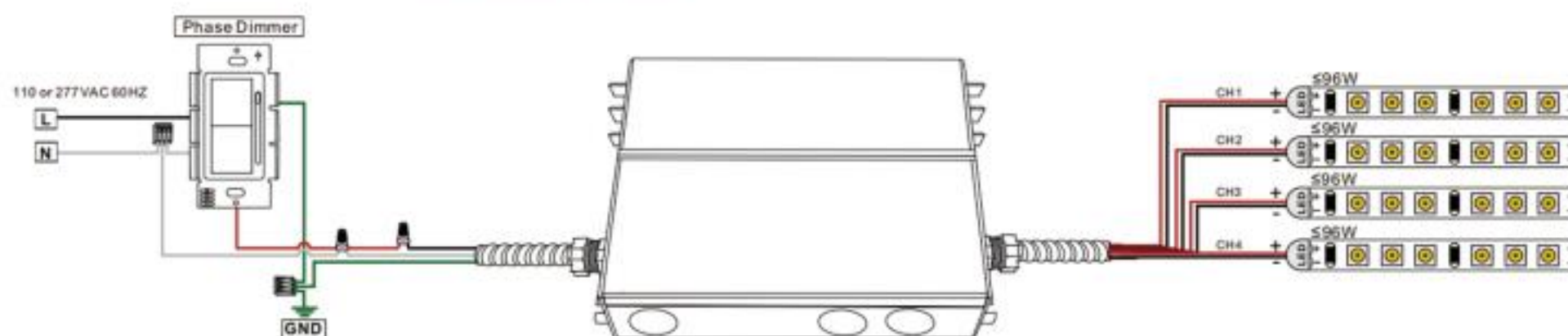
Wiring Diagram (e.g.: Following is the wiring diagram of high power class 2 LED Driver 384W)

接线图 (例如：以下是大功率Class 2 LED驱动器384W接线图)

1) Using Triac / MLV wiring diagram 使用 Triac/MLV 接线图

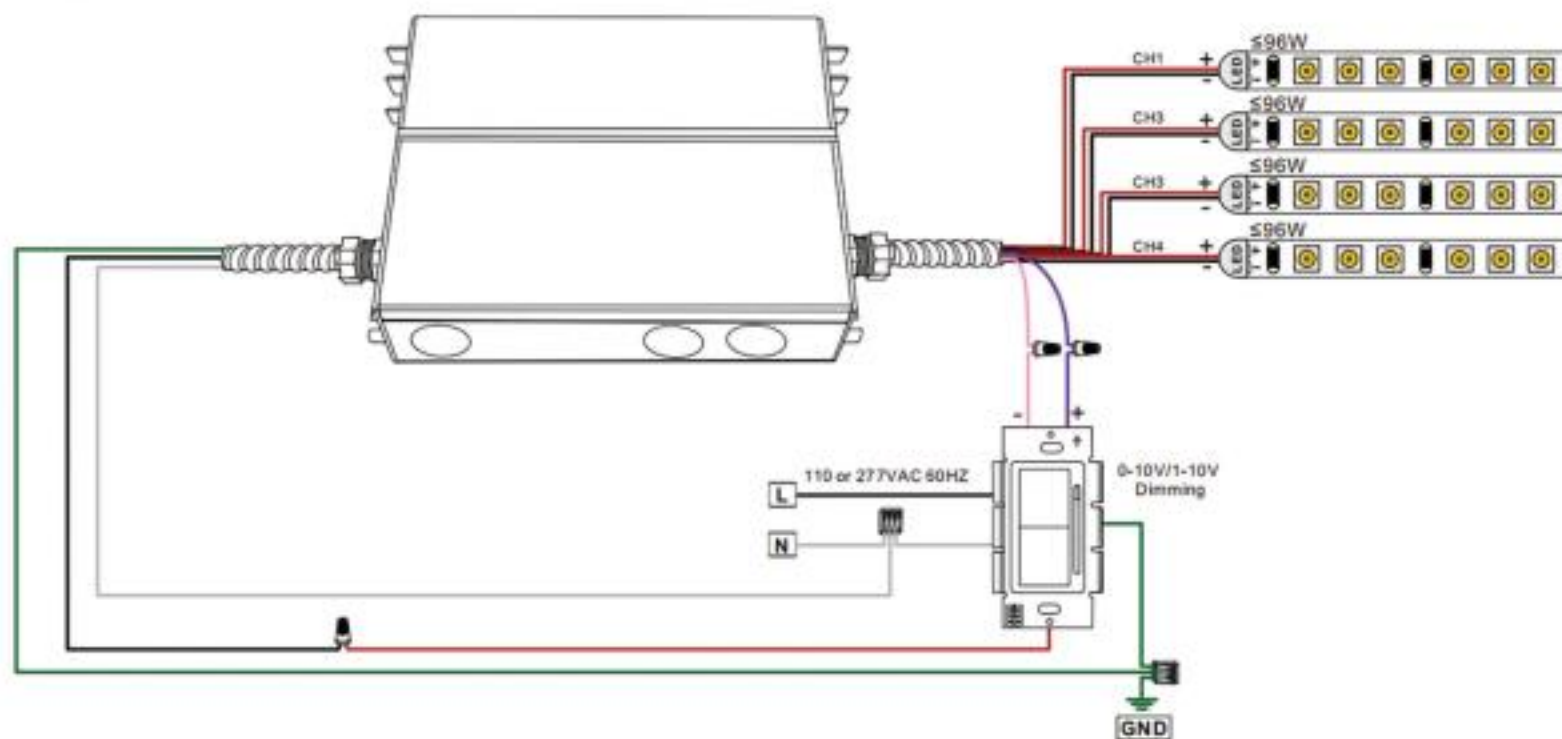


2) Using Triac / ELV wiring diagram 使用 Triac/ELV 接线图



3) Using 0-10V/1-10V Dimming(The driver input is connected to the dimmer)

使用0-10V/1-10V调光 (驱动输入连接调光器)



4) Using 0-10V/1-10V Dimming(The driver is independently connected to the input)

使用0-10V/1-10V调光 (驱动器独立连接输入)

